

M12 x 1.75 THREAD x 1.25 DEEP  
C'BORE DIA .515 x .230 DEEP

Ø 1.25

Ø 1.97

Ø 1.88

Ø 1.97

ER32 COLLET NUT

1.62 WRENCH FLATS

1.89

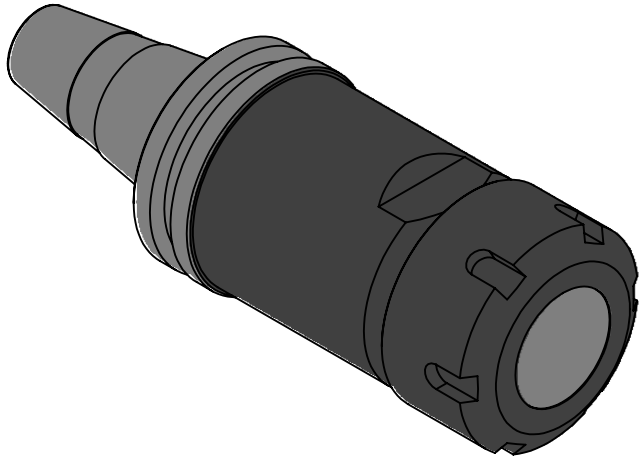
0

.125

.75

2.88

3.90



NOTES:  
WORKS ON ALL ISO30 MACHINES  
ACCEPTS ALL ER32 COLLETS FROM .039"-.875"  
USES WRENCH PART # ER32-WRENCH (NOT INCLUDED)  
FOR MORE PRODUCT DETAILS PLEASE GO TO MARITool.COM  
AND SEARCH ITEM # LISTED ON THIS PRINT

**MARITool**

WWW.MARITool.COM

ITEM# **ISO30 ER32-100**

Made in USA